

## RadioPLC<sup>®</sup> omnidirectional 434 MHz antennas.

### BSLL; 4.5 dBd Omnidirectional gain, X-heavy duty.

**Rugged Construction:** The radiating elements are constructed of copper & copper alloy. They are encased in a fiberglass radome for total environmental protection.

**Weatherproof:** The fiberglass radome is ultraviolet inhibited. The heavy wall aluminum mounting sleeve is epoxy coated for superior weather protection.

**Lightweight:** These antennas are lightweight at less than 4kgs but are designed to easily withstand winds of over 200 km/h.

**Simple installation:** Using the optional BSLLMNT2 mounting kit, installation takes only minutes.

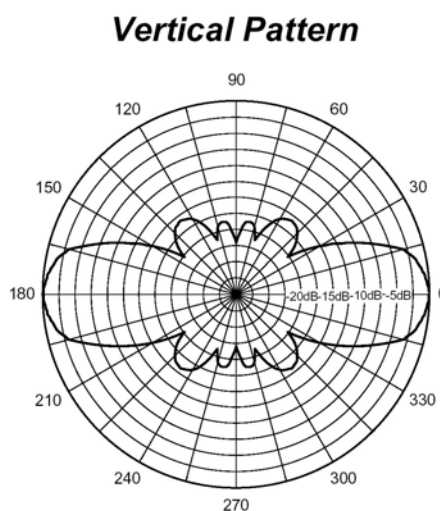
#### ELECTRICAL SPECIFICATIONS:

**GAIN:** 4.5dBd  
**VSWR:** <1.5:1  
**BANDWIDTH:** >20 MHz  
**POWER RATING:** 250 watts  
**IMPEDANCE:** 50 ohms  
**VERT BEAMWIDTH:** 30 degrees

#### MECHANICAL SPECIFICATIONS:

**RADIATOR:** Internal copper alloy elements  
**RADOME:** 51 mm diameter white UV inhibited fiberglass  
**MOUNTING SLEEVE:** 60 mm diameter, 254 mm heavy wall epoxy coated  
**TERMINATION:** Female N  
**LENGTH:** 1550 mm  
**WEIGHT:** 3,6 kgs.  
**WIND RATING:** 200 km/h  
**LATERAL THRUST:** 12,7 kgs.

**Price:** 8655 SEK



## RadioPLC<sup>®</sup> omnidirectional 434 MHz antennas.

### BSL; 4.5 dBd Omnidirectional gain, heavy duty.

**Rugged Construction:** The radiating elements are constructed of copper & copper alloy. They are encased in a fiberglass radome for total environmental protection.

**Weatherproof:** The fiberglass radome is ultraviolet inhibited. The heavy wall aluminum mounting sleeve is epoxy coated for superior weather protection.

**Lightweight:** These antennas are lightweight at less than 4 kgs. but are designed to easily withstand winds of over 200 km/h.

**Simple installation:** Using the optional BSLMNT2 mounting kit, installation takes only minutes.

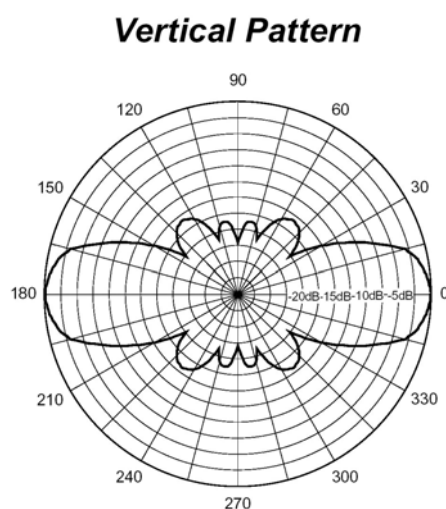
#### ELECTRICAL SPECIFICATIONS:

**GAIN:** 4.5dBd  
**VSWR:** <1.5:1  
**BANDWIDTH:** >20 MHz  
**POWER RATING:** 250 watts  
**IMPEDANCE:** 50 ohms  
**VERT BEAMWIDTH:** 30 degrees

#### MECHANICAL SPECIFICATIONS:

**RADIATOR:** Internal copper alloy elements  
**RADOME:** 38 mm diameter white UV inhibited fiberglass  
**MOUNTING SLEEVE:** 50 mm diameter 254 mm heavy wall epoxy coated  
**TERMINATION:** Female N  
**LENGTH:** 1530 mm  
**WEIGHT:** 3,6 kgs  
**WIND RATING:** 200 km/h  
**LATERAL THRUST:** 12,7 kgs

**Price:** 5520 SEK



## RadioPLC<sup>®</sup> omnidirectional 434 MHz antennas.

### BS; 3 dBd Omnidirectional gain.

**Rugged Construction:** The radiating elements are constructed of copper & copper alloy. They are encased in a fiberglass radome for total environmental protection.

**Weatherproof:** The fiberglass radome is ultraviolet inhibited. The heavy wall aluminum mounting sleeve is epoxy coated for superior weather protection.

**Lightweight:** These antennas are lightweight at less than 2.5 kgs. but are designed to easily withstand winds of over 200 km/h.

**Simple installation:** Using the optional BSMNT2 mounting kit, installation takes only minutes.

#### ELECTRICAL SPECIFICATIONS:

**GAIN:** 3dBd  
**VSWR:** <1.5:1  
**BANDWIDTH:** >20 MHz  
**POWER RATING:** 250 watts  
**IMPEDANCE:** 50 ohms  
**VERT BEAMWIDTH:** 40 degrees

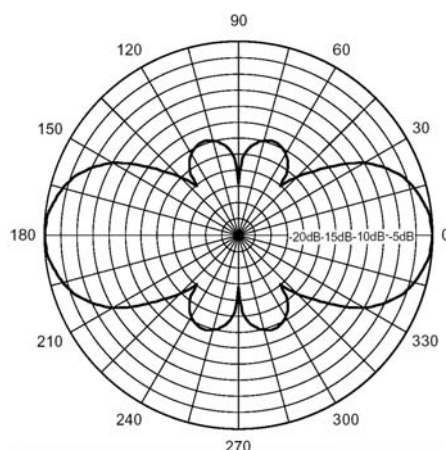
#### MECHANICAL SPECIFICATIONS:

**RADIATOR:** Internal copper alloy elements  
**RADOME:** 25 mm diameter white UV inhibited fiberglass  
**MOUNTING SLEEVE:** 34 mm diameter 254 mm heavy wall epoxy coated  
**TERMINATION:** Female N standard, pigtail optional  
**LENGTH:** 1070 mm  
**WEIGHT:** 2,3 kgs.  
**WIND RATING:** 200 km/h  
**LATERAL THRUST:** 6,4 kgs.

**Price:** 2950 SEK



**Vertical Pattern**



## RadioPLC<sup>®</sup> omnidirectional 434 MHz antennas.

### BS; 4.5 dBd Omnidirectional gain.

**Rugged Construction:** The radiating elements are constructed of copper & copper alloy. They are encased in a fiberglass radome for total environmental protection.

**Weatherproof:** The fiberglass radome is ultraviolet inhibited. The heavy wall aluminum mounting sleeve is epoxy coated for superior weather protection.

**Lightweight:** These antennas are lightweight at less than 3 kgs. but are designed to easily withstand winds of over 200 km/h.

**Simple installation:** Using the optional BSMNT2 mounting kit, installation takes only minutes.

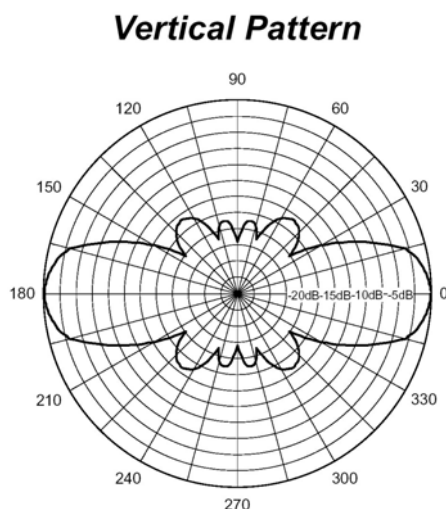
#### ELECTRICAL SPECIFICATIONS:

**GAIN:** 4.5dBd  
**VSWR:** <1.5:1  
**BANDWIDTH:** >20 MHz  
**POWER RATING:** 250 watts  
**IMPEDANCE:** 50 ohms  
**VERT BEAMWIDTH:** 30 degrees

#### MECHANICAL SPECIFICATIONS:

**RADIATOR:** Internal copper alloy elements  
**RADOME:** 25 mm diameter white UV inhibited fiberglass  
**MOUNTING SLEEVE:** 34 mm diameter 254 mm heavy wall epoxy coated  
**TERMINATION:** Female N standard, pigtail optional  
**LENGTH:** 1530 mm  
**WEIGHT:** 2,7 kgs.  
**WIND RATING:** 200 km/h  
**LATERAL THRUST:** 8,5 kgs.

**Price:** 3945 SEK



## RadioPLC<sup>®</sup> omnidirectional 434 MHz antennas.

### S; 2.5 dBd Omnidirectional gain.

**Rugged Construction:** The radiating structure is encased in a fiberglass radome to provide structural integrity.

**Elegant and Functional:** This antenna provides a low visibility high performance antenna at an economical price. The fiberglass radome is ultraviolet inhibited. This antenna is supplied with integrated mounting hardware for easy mounting on a 1 1/2" standard mast. This antenna is not recommended for use where extreme weather conditions exist.

**Lightweight:** This antenna is very light weight at less than 1.5 kgs. and is a great performer in indoor data applications.

#### ELECTRICAL SPECIFICATIONS:

**GAIN:** 2.5 dBd  
**VSWR:** <2:1  
**BANDWIDTH:** >20 MHz  
**POWER RATING:** 100 watts  
**IMPEDANCE:** 50 ohms  
**VERT BEAMWIDTH:** 45 degrees

#### MECHANICAL SPECIFICATIONS:

**RADIATOR:** Copper structure  
**RADOME:** White UV inhibited fiberglass  
**MOUNTING:** 1-1/2" standard mast kit supplied  
 Optional stainless mast kit available

**TERMINATION:** Female N  
**LENGTH:** 940 mm  
**WEIGHT:** 1,3 kgs.  
**WIND RATING:** -  
**LATERAL THRUST:** -

**Price:** 1455 SEK



**Vertical Pattern**

